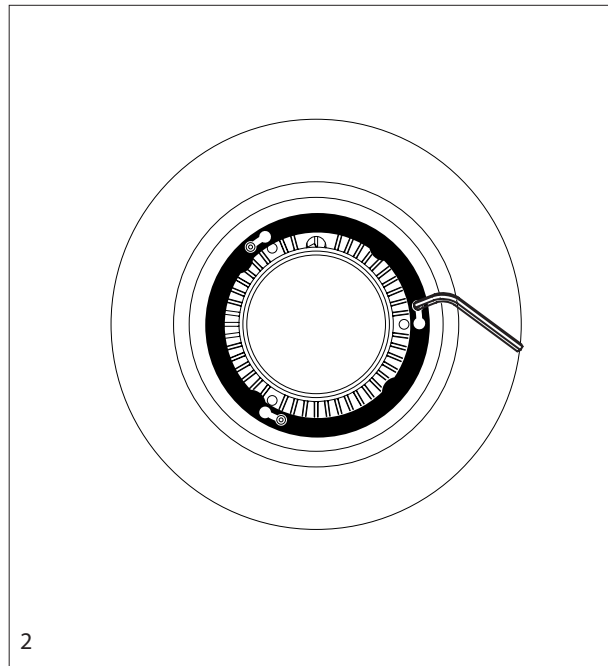
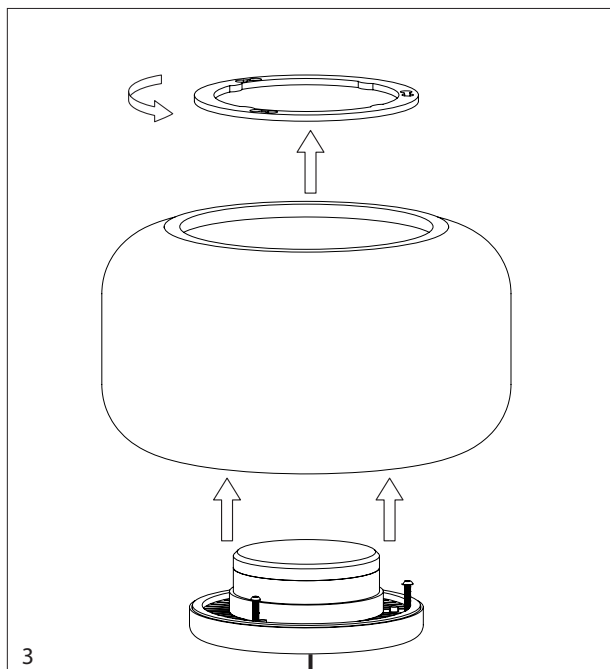


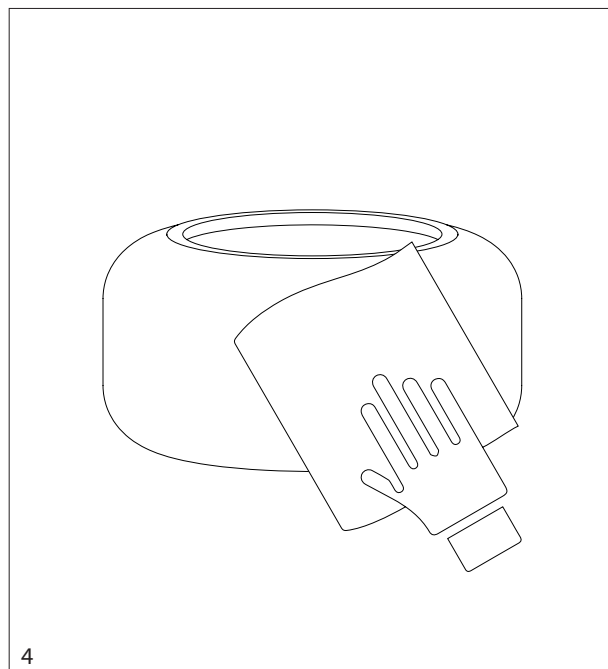
Remove the interior glass.



Use the allen key to unscrew the **3** screws that are holding the black disk  
**CAUTION !** This action will release the outside glass  
Loose the screws slightly, not completely.



Take out the ring and take out the glass.



Clean the glass with a damp cloth  
**Do not** use alcohol or other hard chemicals on the piece  
Place back the glass.