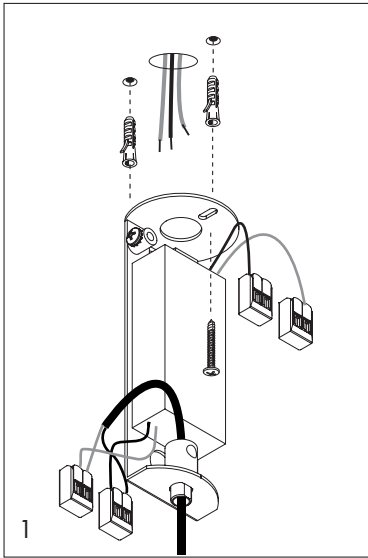


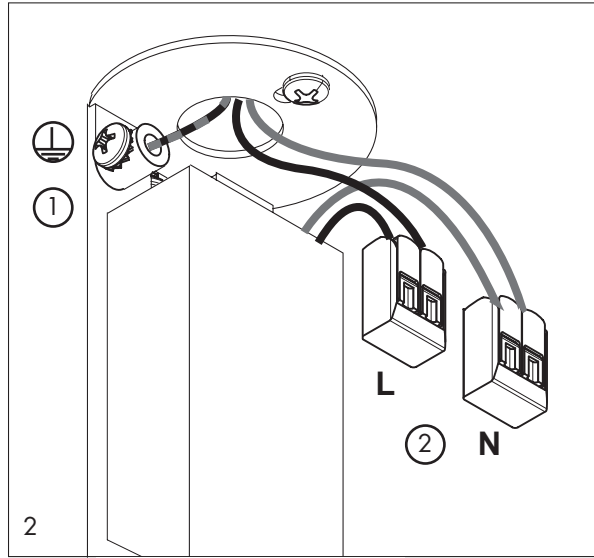
Meta LED35

assembly and mounting instructions

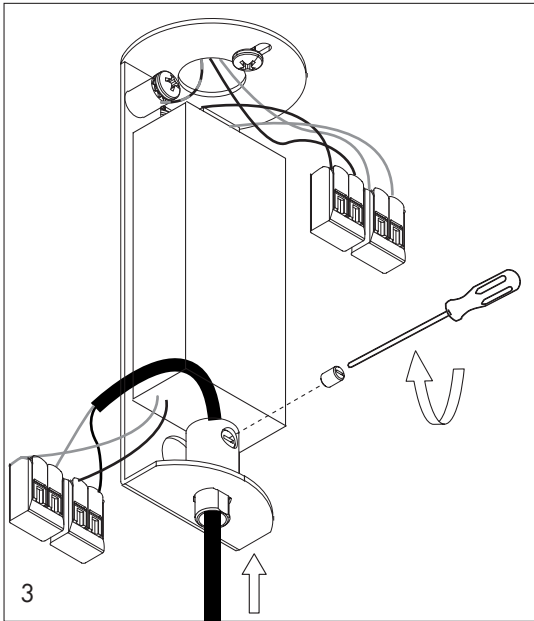
dauidpompa



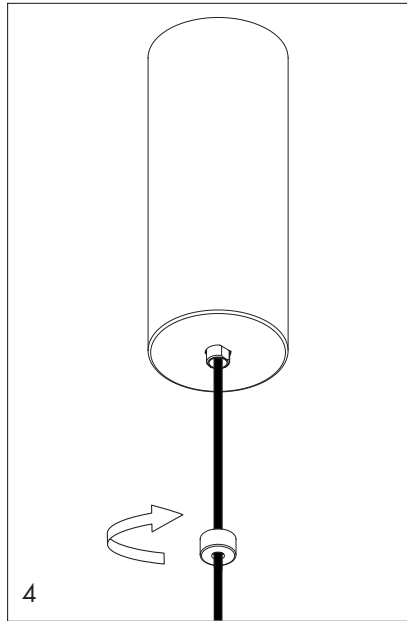
1. Disconnect the power by turning off the circuit breaker, or by removing the fuse in the fuse box before assembling and mounting the canopy. Fix the mounting plate to the ceiling with the dowels and screws.



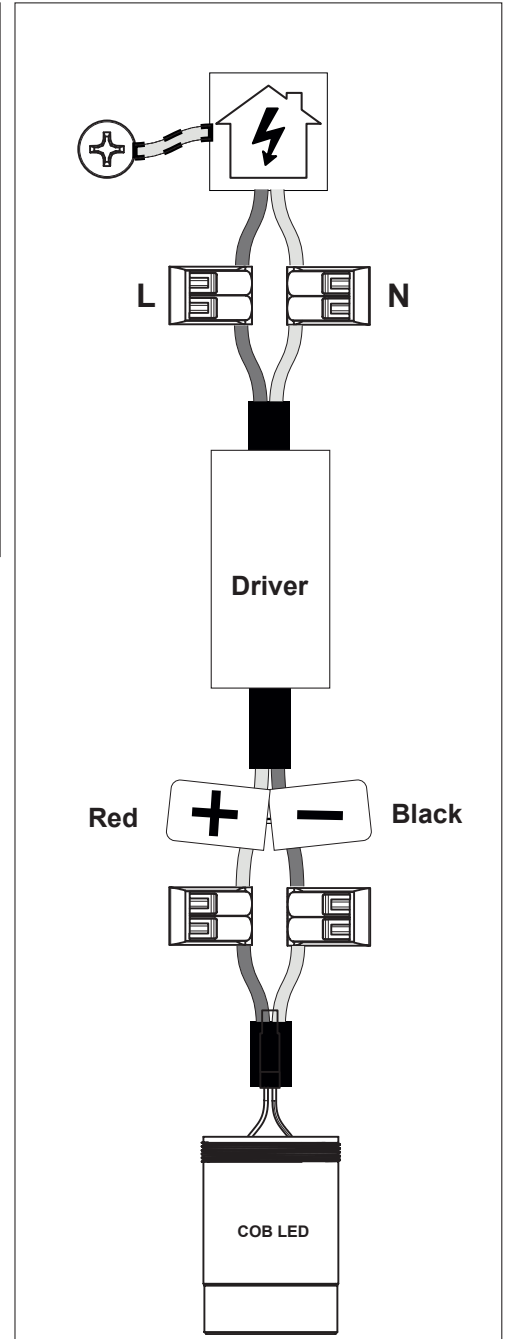
2. 1. Insert the grounding cable into the the hole and attach with the grounding screw.
2. Connect the cable to the terminal blocks.



3. Fix the lamp cable in the right height with the fixing bracker on the side to doble secure.



4. Fix the ceiling rose cover with the fixing nut.



safety instruction

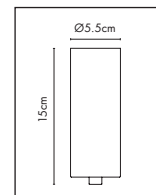
Lamp suitable only for indoor use. The electrical connections must be carried out by specialized personnel. If this electrical wire or cord is damaged, it should be replaced exclusively by the manufacturer, its technical team or someone with an equivalent qualification in order to avoid any risk. The manufacturer is not responsible for improper use of the product.

product care

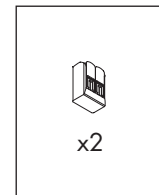
Powder coated
Dust gently with a duster or soft cloth. Do not use commercial cleaners. A clean soft damp rag may also be used.

Recinto
Use a feather duster, a clean cloth, or vacuum with a clean brush attachment, do not wipe wet.

incl.



incl.



incl.

