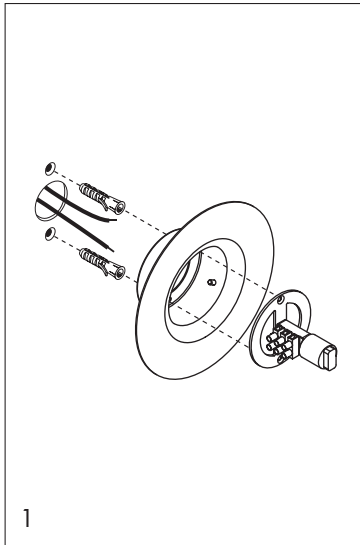


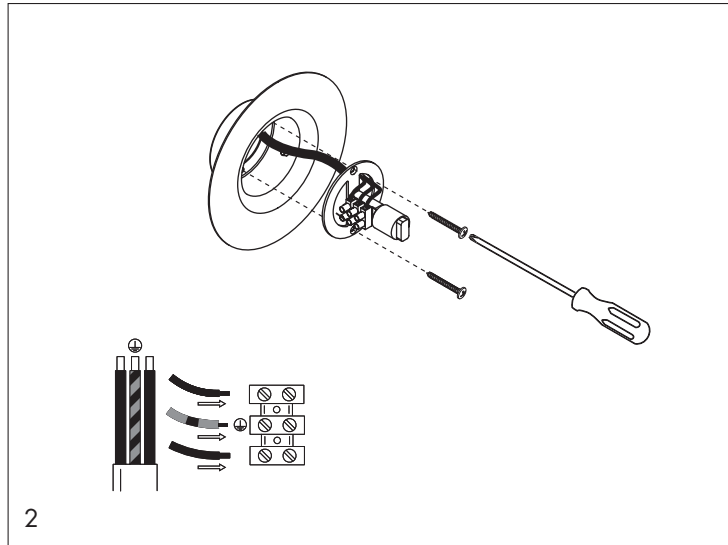
# Cupallo wall

assembly and mounting instructions

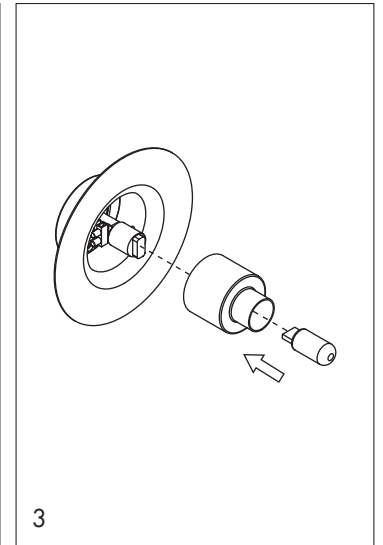
davidpompa



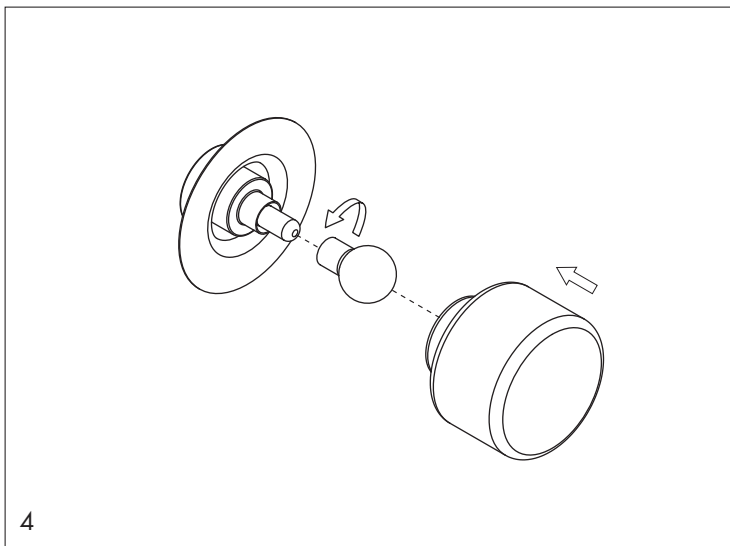
Disconnect the power by turning off the circuit breaker, or by removing the fuse in the fuse box before assembling and mounting the canopy. Fix the mounting plate to the ceiling with the dowels and screws.



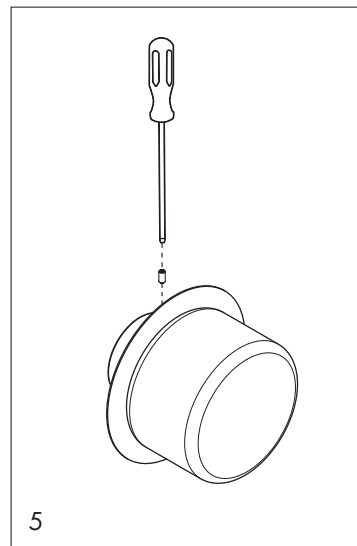
Connect the cables to the terminal block. Fix the wall lamp to the wall with dowels and screws.



Cover the technician with the metal cover and insert the G9 bulb.  
**Warning:** Use only LED



Fix the metal cover with the glass sphere. Take care to screw the glass sphere gently.



Fix the recycled handblown glass with the PVC grub screws

## product care

### Glass

For recycled handblown glass, wipe gently with a soft, clean cloth moistened with warm water: "isocol" rubbing alcohol may alternatively be used. For frosted or etched glass, dust gently with a duster or soft rag. Do not scrub frosted glass. Removable shades can be washed carefully in warm to hot water in the sink with minimal cleaning solution.

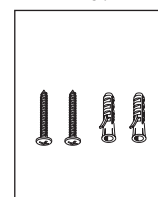
### Brass Copper Chrome

This materials are lacquered lightly to seal and prevent patinas. Dust gently with a duster or soft cloth. Do not use commercial cleaners. A clean soft damp rag may also be used.

## safety instruction

Lamp suitable only for indoor use. The electrical connections must be carried out by specialized personnel. If this electrical wire or cord is damaged, it should be replaced exclusively by the manufacturer, its technical team or someone with an equivalent qualification in order to avoid any risk. The manufacturer is not responsible for improper use of the product.

incl.



incl.

