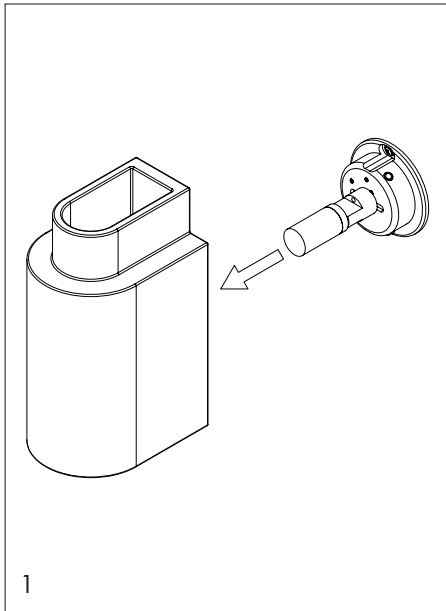


Can Wall

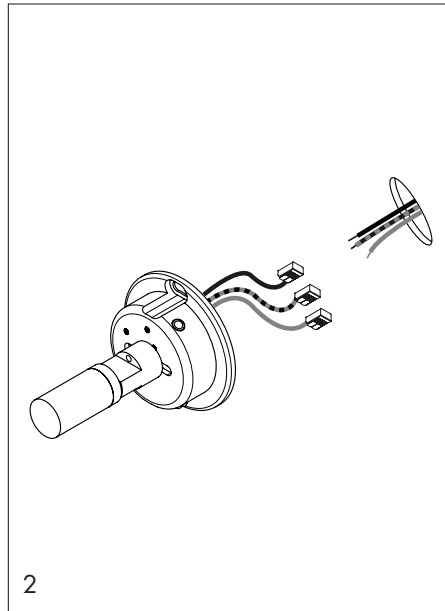
assembly and mounting instructions

davidpompa



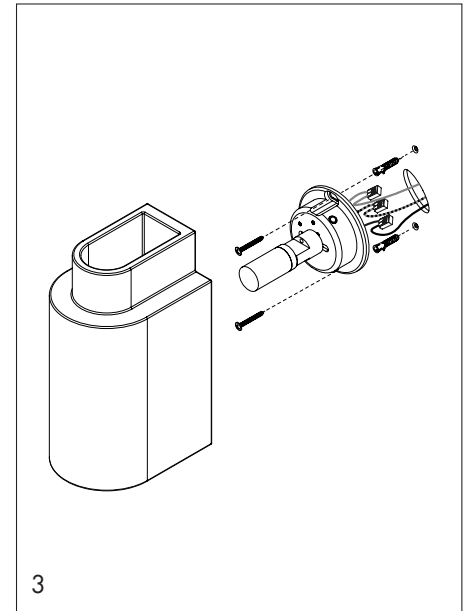
1

Disconnect the power by turning off the circuit breaker, or by removing the fuse in the fuse box before.
Take off the mounting technic from the barro negro.



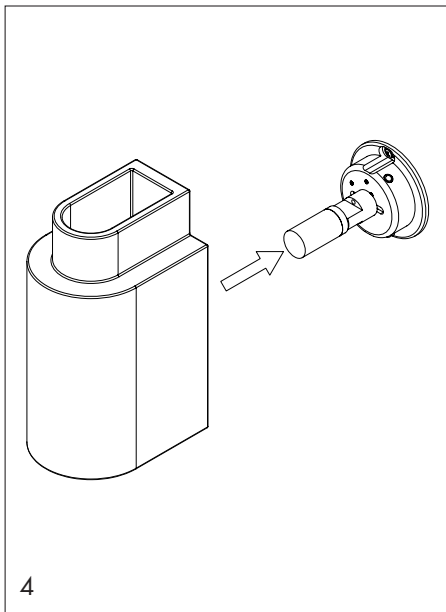
2

Fix the lamp cables to the current electricity with the connectors.



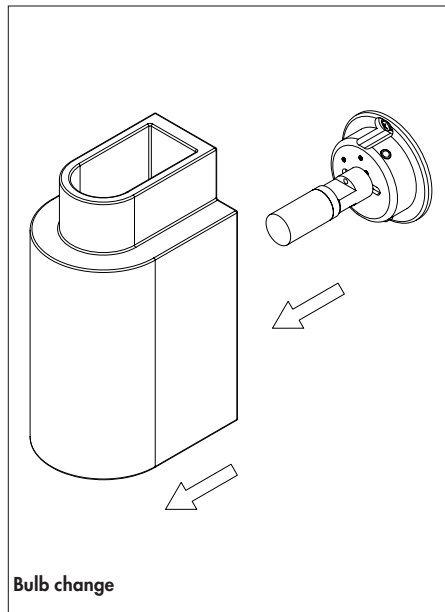
3

Fix the mounting to the wall with the dowels and screws.



4

Push the barro negro piece to the mounting technic.



Bulb change

Disconnect the power by turning off the circuit breaker, or by removing the fuse in the fuse box before.
Pull off the barro negro from the technic.

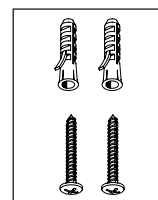
safety instruction

Lamp suitable only for indoor use.
The electrical connections must be carried out by specialized personnel. If this electrical wire or cord is damaged, it should be replaced exclusively by the manufacturer, its technical team or someone with an equivalent qualification in order to avoid any risk.
The manufacturer is not responsible for improper use of the product.

product care

Barro Negro
Use a soft clean cloth or a vacuum with a clean brush attachment, do not wipe wet.

incl.



incl.

