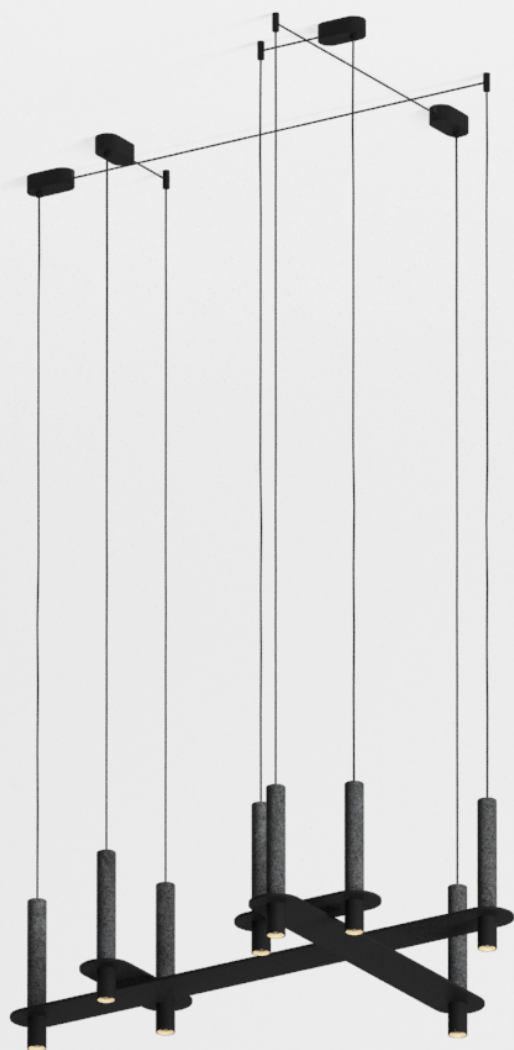



Meta Parallel black Arrangement 09

davidpompa

Meta Parallel suspends its elements in a horizontal plane. The metal element becomes a new visual object that reinforces balance and tension. Enclosed volcanic stones placed at a defined distance are much more than the sum of their parts. The canopy starts a conversation between function and aesthetics, creating a unique integrated piece. A sculpture with its own language.



Code SKU	MPA9-ne
Components	1x PV140 2x PV142 1x PV144
Handcrafted in	Mexico
Size	see next page
Lead time	6-9 weeks
Light source	Incl. 8x 7W LED COB 7W total 4800lm 2700K 90CRI warm white TRIAC dimmable
Voltage	110V / 240V
Cable	400cm PVC black extensions on request
Material	Black - volcanic rock powder coated aluminium black
Special finishes	on request / MOQ 10pc
Assembly	required
IP rating	IP20 / indoor use only
Certification	

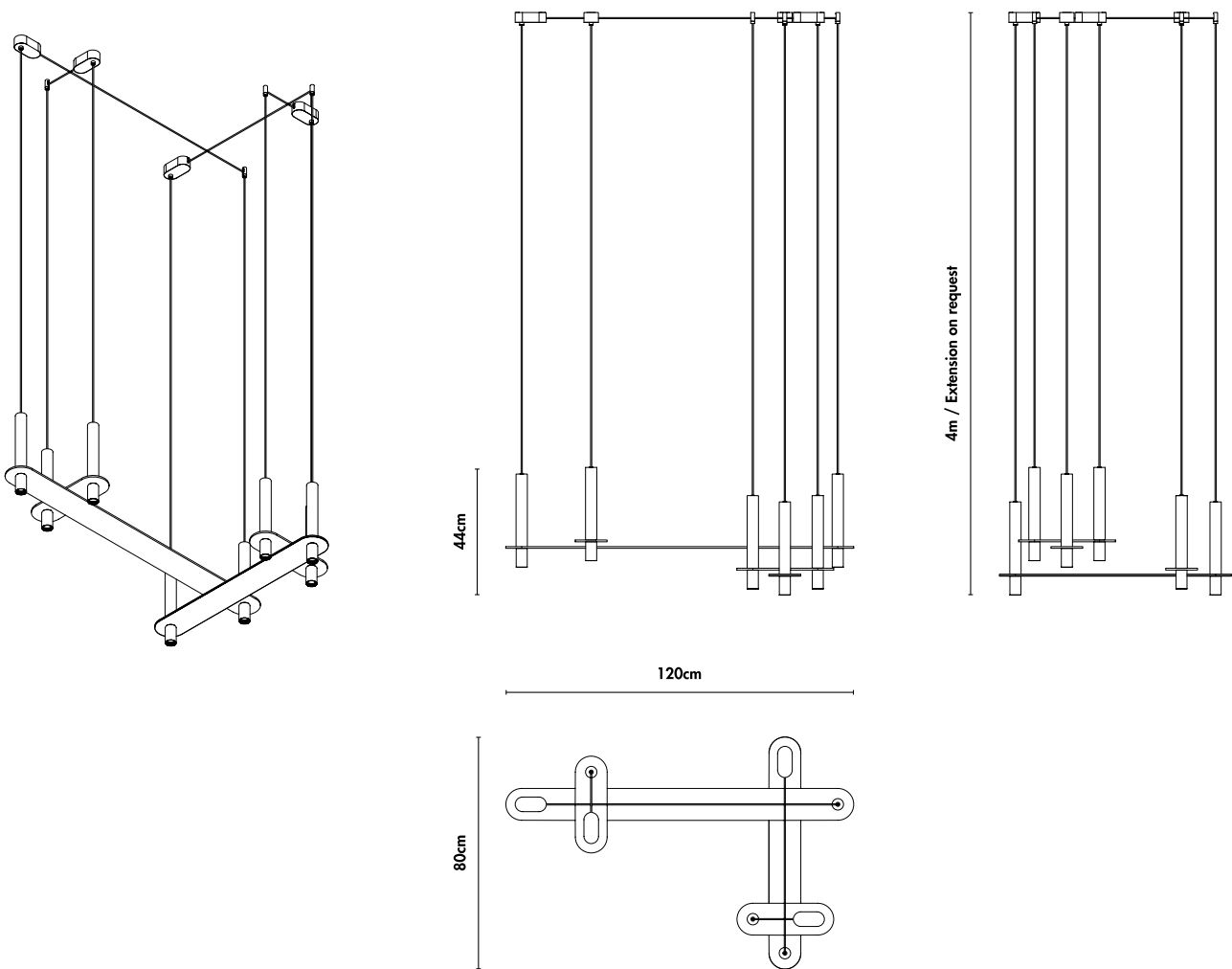
Download installation & care instructions on our website.

Replacement parts are available through davidpompa directly.

Lead times are subject to change.

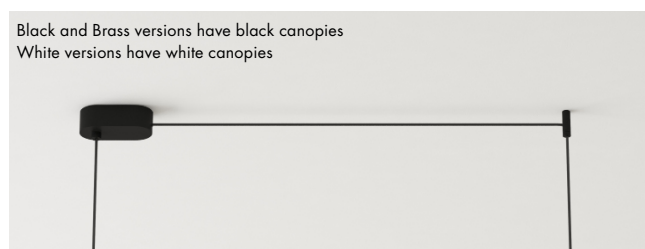
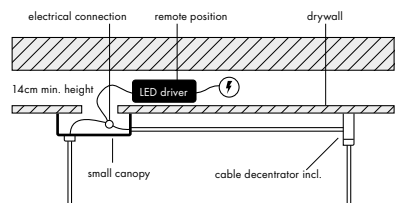
Variations in colour, texture, shape & size are natural characteristics of handmade products and should be expected.

Meta Parallel black arrangement 09
Views



Canopy Options

Small canopy
Use for drywall ceilings. LED driver will be inside the drywall ceiling.
Black powder coated
11 x 5,5 x 3,5cm



Black and Brass versions have black canopies
White versions have white canopies

Black finish

Black matt powder coated and volcanic rock



A relationship between textures plays with a surprising material combination of volcanic rock and coated aluminum. An unexpected balance combines the porosity of the stones and the industrial process.