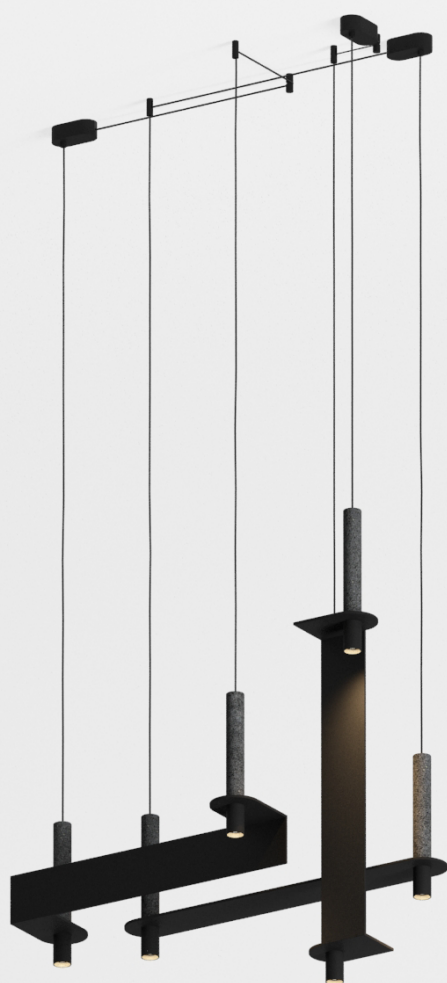



# Meta Parallel black Arrangement 08

dauidpompa

Meta Parallel suspends its elements in a horizontal plane. The metal element becomes a new visual object that reinforces balance and tension. Enclosed volcanic stones placed at a defined distance are much more than the sum of their parts. The canopy starts a conversation between function and aesthetics, creating a unique integrated piece. A sculpture with its own language.



<b>Code SKU</b>	MPA08-ne
<b>Components</b>	1x PV140 1x PV143 1x PV145
<b>Handcrafted in</b>	Mexico
<b>Size</b>	see next page
<b>Lead time</b>	6-9 weeks
<b>Light source</b>	Incl. 6x 7W LED COB 7W total 3600lm 2700K 90CRI warm white TRIAC dimmable
<b>Voltage</b>	110V / 240V
<b>Cable</b>	400cm PVC black extensions on request
<b>Material</b>	Black - volcanic rock powder coated aluminium black
<b>Special finishes</b>	on request / MOQ 10pc
<b>Assembly</b>	required
<b>IP rating</b>	IP20 / indoor use only
<b>Certification</b>	

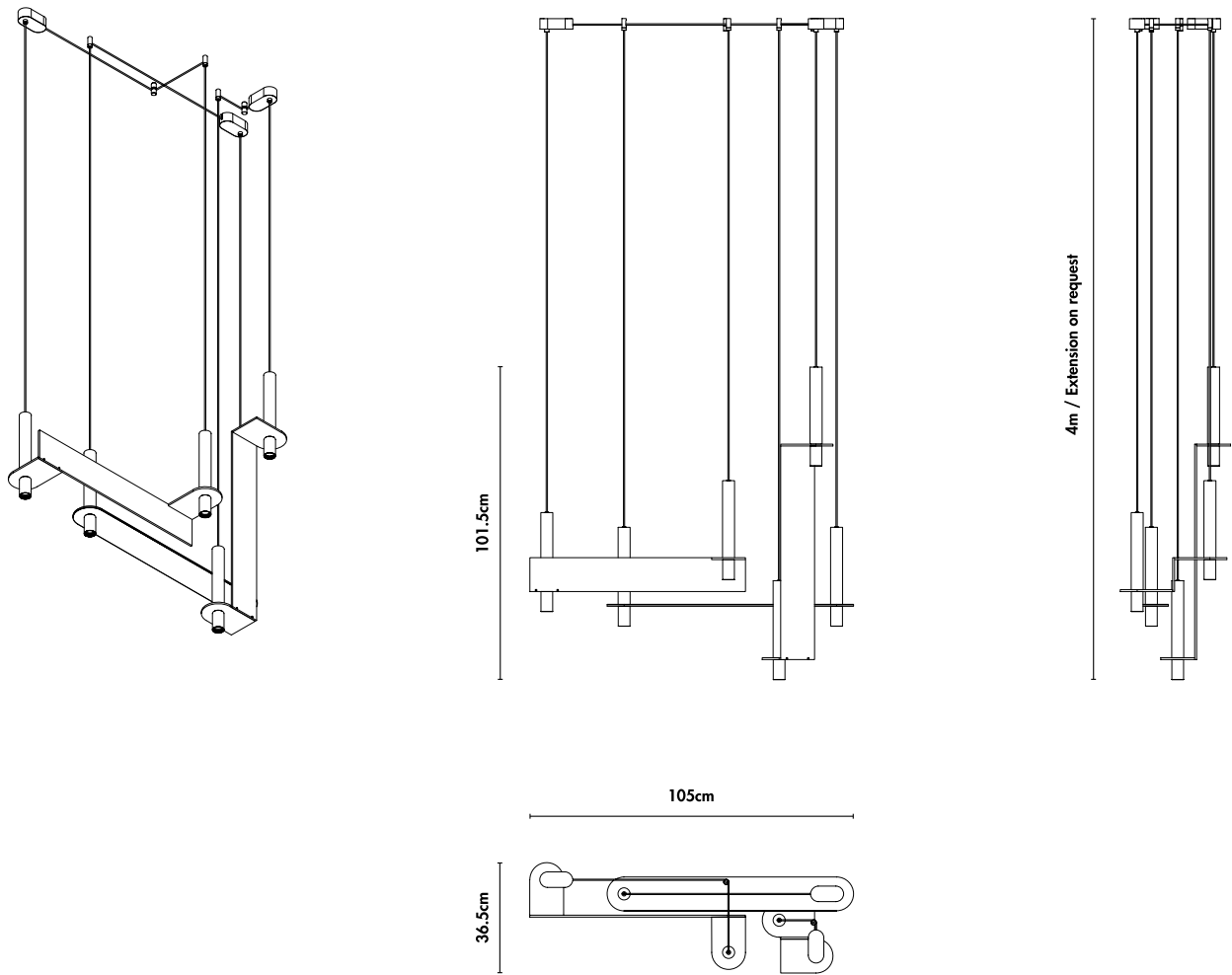
Download installation & care instructions on our website.

Replacement parts are available through dauidpompa directly.

Lead times are subject to change.

Variations in colour, texture, shape & size are natural characteristics of handmade products and should be expected.

**Meta Parallel black arrangement 08**  
Views

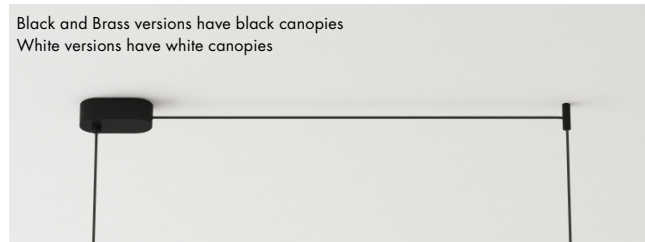
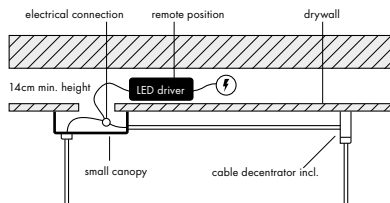


**Canopy Options**

**Small canopy**

Use for drywall ceilings. LED driver will be inside the drywall ceiling.

Black powder coated  
11 x 5,5 x 3,5cm



Black and Brass versions have black canopies  
White versions have white canopies

**Black finish**

Black matt powder coated and volcanic rock



A relationship between textures plays with a surprising material combination of volcanic rock and coated aluminum. An unexpected balance combines the porosity of the stones and the industrial process.