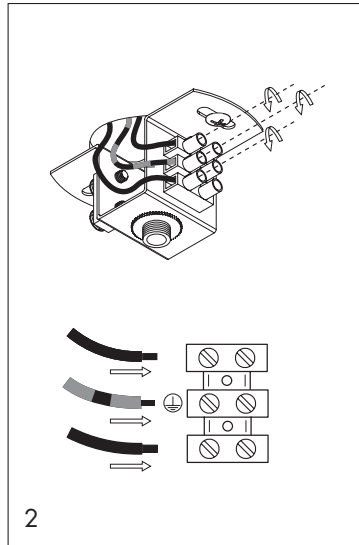
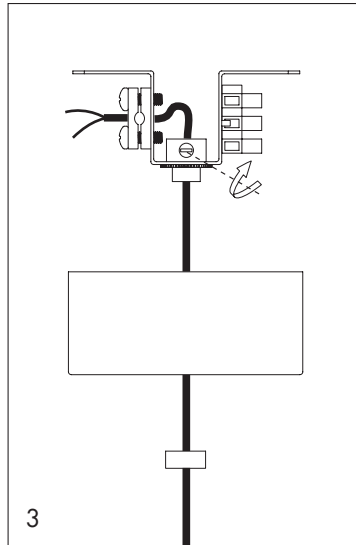


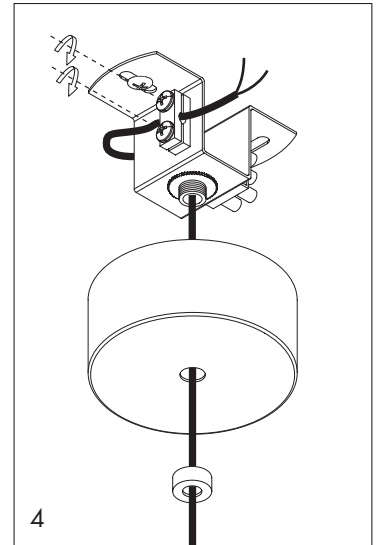
1
Disconnect the power by turning off the circuit breaker, or by removing the fuse in the fuse box before assembling and mounting the canopy. Fix the mounting plate to the ceiling with the dowels and screws.



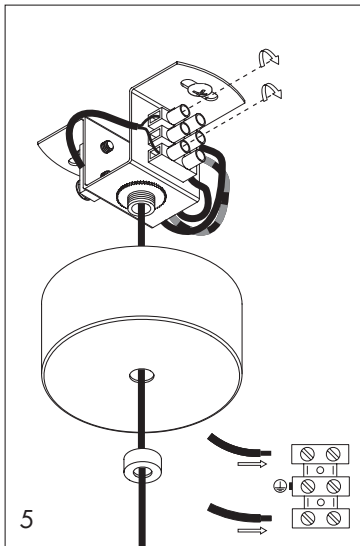
2
Connect the cable to the terminal block.



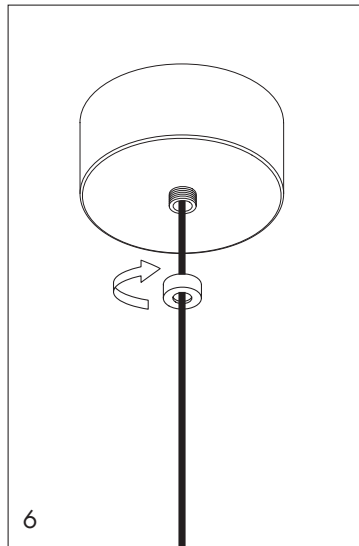
3
Fix the lamp cable with the fixing screw on the ceiling box. Take care to screw the screw gently but firmly



4
Fix the lamp cable with the fixing bracket on the side to double secure.

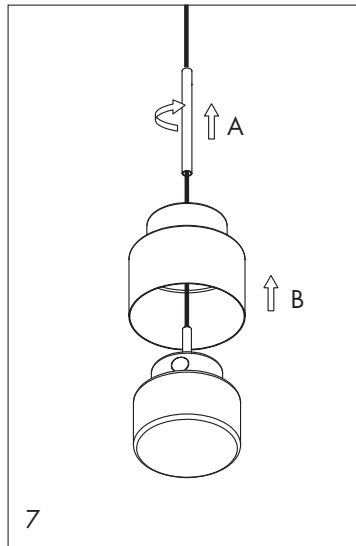


5
Connect the cable of the lamp to the terminal block.

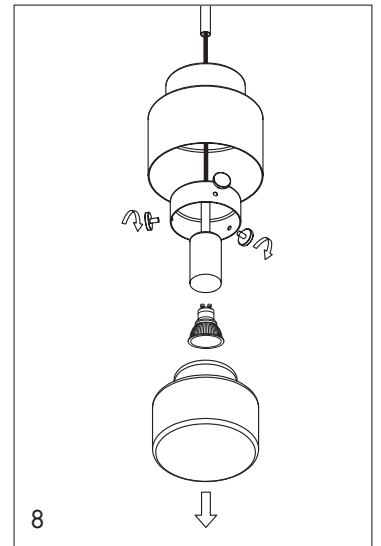


6
Fix the ceiling rose cover with the fixing nut.

Bulb change



7
Unscrew the part A. Lift part A and B.



8
Unscrew the plastic bolts and remove the glass. Exchange the Gu10 bulb
Warning:
Use only LED

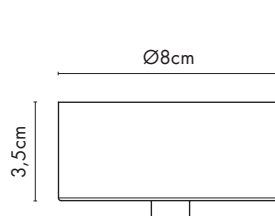
safety instruction

Lamp suitable only for indoor use. The electrical connections must be carried out by specialized personnel. If this electrical wire or cord is damaged, it should be replaced exclusively by the manufacturer, its technical team or someone with an equivalent qualification in order to avoid any risk. The manufacturer is not responsible for improper use of the product.

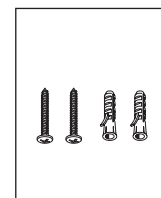
product care

Glass
For recycled handblown glass, wipe gently with a soft, clean cloth moistened with warm water: "isocol" rubbing alcohol may alternatively be used. Removable shades can be washed carefully in warm to hot water in the sink with minimal cleaning solution.

Brass Copper Chrome
This materials are lacquered lightly to seal and prevent patinas. Dust gently with a duster or soft cloth. Do not use commercial cleaners.



incl.



incl.

